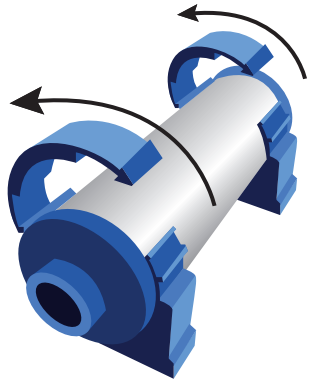
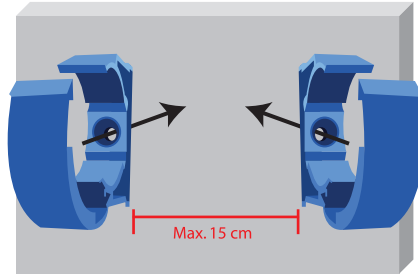


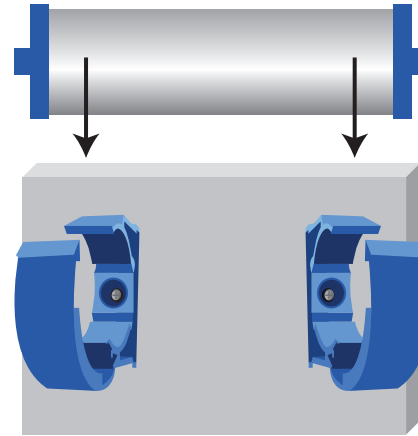
EN



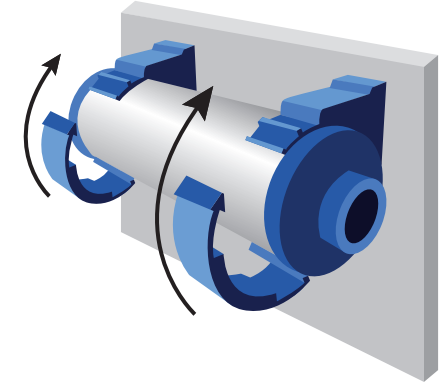
1. Open the brackets and get the filter out. You can use these to mount the InstantTrust Marine Inline to a wall or wooden plate.



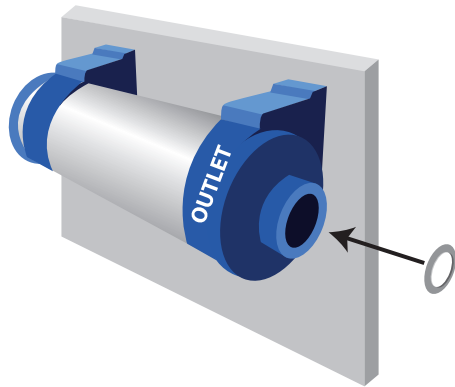
2. Mount the brackets to a wall or wooden plate. NOTICE: The distance between the bracket can only be 15 cm.



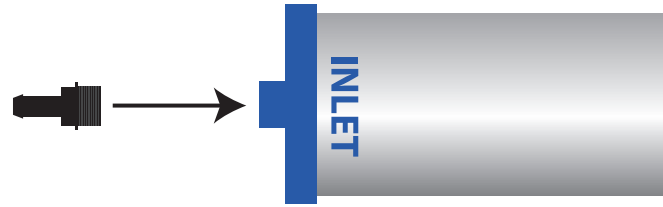
3. Place the filter back in the brackets.



4. Close the brackets so the filter is secured.



5. Check if there is a rubber ring in the opening of the outlet.



6. Turn the adapter on the inlet. Two different sizes are included (12 mm and 20 mm).



7. Turn the adapter with the rubber in it on the outlet. Two different sizes are included (12 mm and 20 mm).



NOTICE: Be sure to close the water supply!



8. Cut off the water hose.



9. Mount the hose to the adapters.

TIP:

Use hose clamps to make sure the water hose is tightened.

Make sure everything is secure. You can turn the water back on.